

The new standard for touchless hand hygiene in public areas.

Product dispenser touchless PA1

Our plus:

- high-quality stainless steel construction
- lockable
- hygienic spray chamber
- integrated drip tray
- intuitive handling due to reliable touchless sensor
- adjustable dosage
- compatible with mit 1,000 ml schülke bottles and with 1,000 ml Euro bottle

Description

Simple and precise dosage of hand disinfectants. The precise sprayhead function ensures optimal coverage of the palms - this makes the complete skin wetting easier. The bottle change is also quick and unproblematic thanks to the internal spare bottle holder.

Technical advantages are:

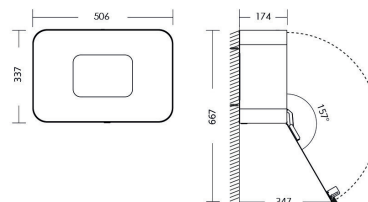
- Long battery operating time
- optional with external power supply
- Inspection window for filling level control
- Potential-free contact useable e.g. as a door opener at hygienic locks (optional)

Application area

This new touchless hand disinfectant for alcoholic hand disinfectants offers a high-quality and attractive solution for all public areas.

Measures in mm

Width: 506 mm
 Hight: 336,7 mm
 Depth: 173,7 mm



Technical Data

Housing:
 Door:
 Window (for filling level control):
 Dosing pump:
 Drip tray:
 Dosing amount:

 Batteries:
 Weight:
 Lock:
 Wall mounting:

Dispenser touchless PA1

Stainless steel, grinded
 Stainless steel, powder coated white
 plastic material, transparent
 Stainless steel, autoclavable
 integrated
 adjustable in 4 levels;
 approx.. 0,7 - 1,0 - 1,25 - 1,5 ml /stroke
 5 Batteries Monocell (Typ D)
 12,5 kg
 Stainless steel
 with 4 screws and dowels

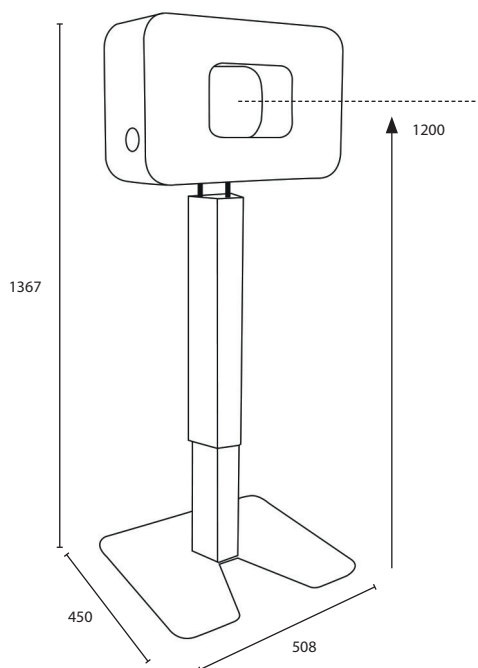
Product dispenser touchless PA1

Dispenser /Accessories touchless PA	Art. No.
touchless PA1	60000115
Stainless steel column for touchless PA1 (1200 mm)	60000116
- barrier-free version (900 mm)	on demand

Technical data	Stainless steel column for touchless PA1
Construction kit:	for self-installation for free-standing installation of touchless PA 1
Material:	Stainless steel
Weight:	17,4 kg

Measures - Stainless steel column for touchless PA1 in mm

Width: 508 mm
Height: 1.367 mm
Depth: 450 mm



Environmental information

schülke manufactures products economically and with advanced, safe and environmentally friendly production processes and in compliance with high quality standards.

Expert opinion and information

Please visit our website for an overview of all available literature/reports on the product: www.schuelke.com.

For individual questions:
Customer Sales Service
Phone: +49 (0)40 521 00-666
E-Mail: info@schuelke.com



Schülke & Mayr GmbH holds a Manufacturer's Authorisation according to sect 13 para 1 German Drug Law and Certificates of GMP Compliance for medicinal products.

Schülke & Mayr GmbH
22840 Norderstedt, Germany
Phone +49 (0) 40 - 521 00 - 0
Fax +49 (0) 40 - 521 00 - 318
www.schuelke.com
mail@schuelke.com